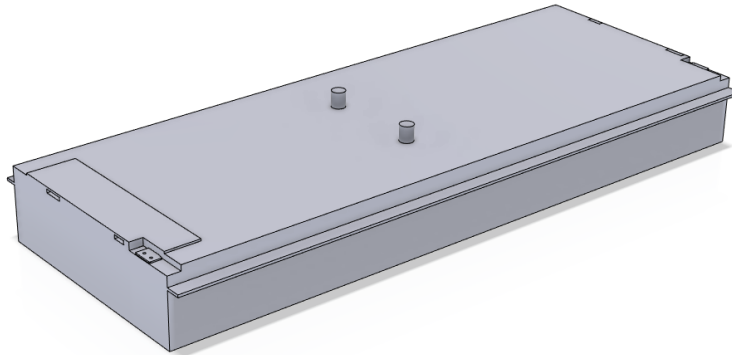




## High Capacity Pack S26

95,42V 17,9kWh

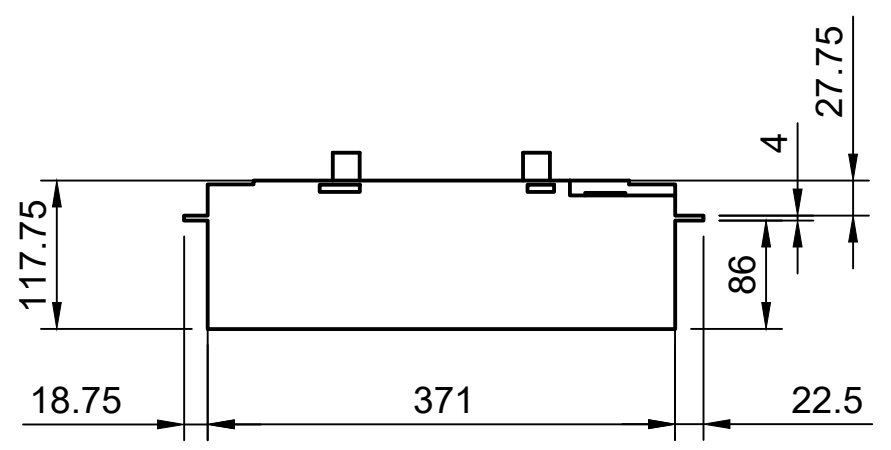
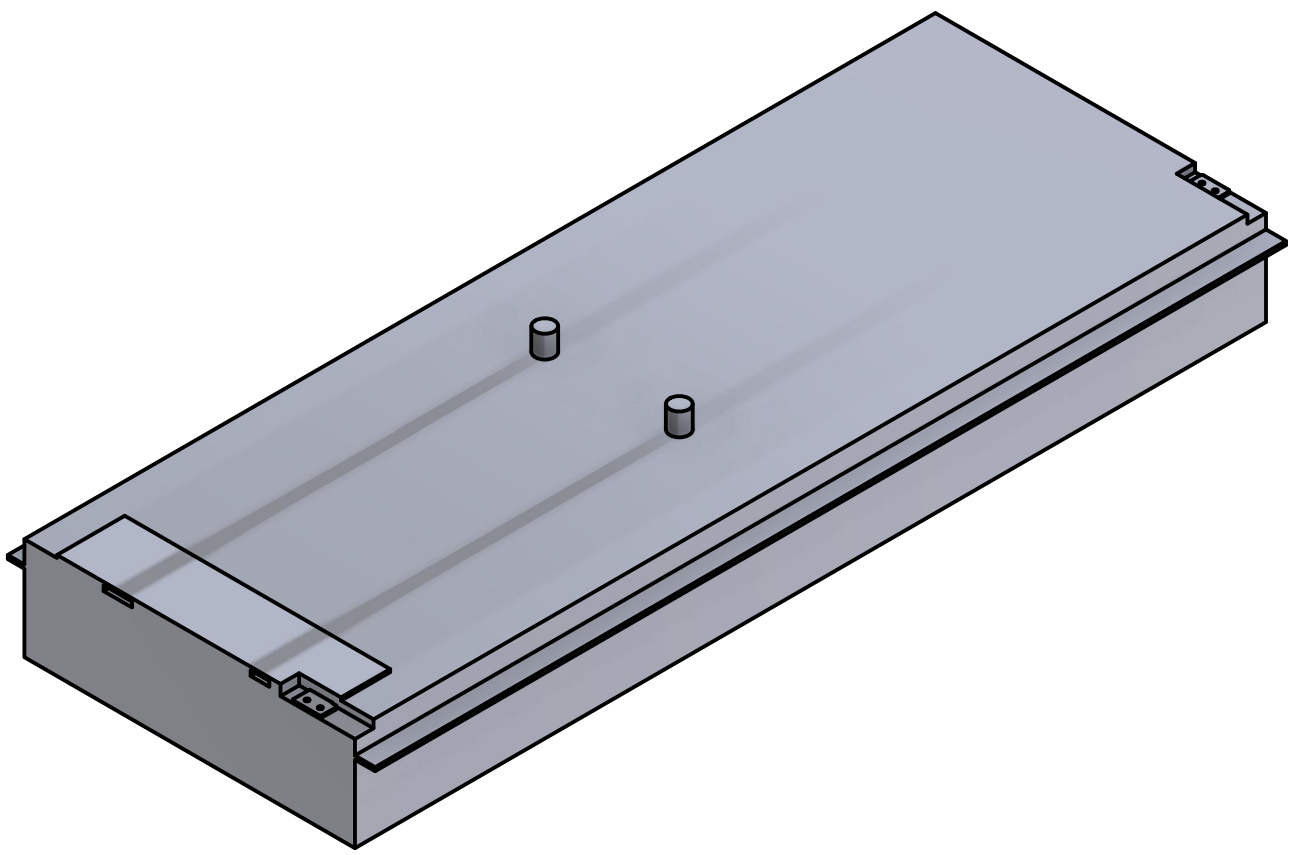
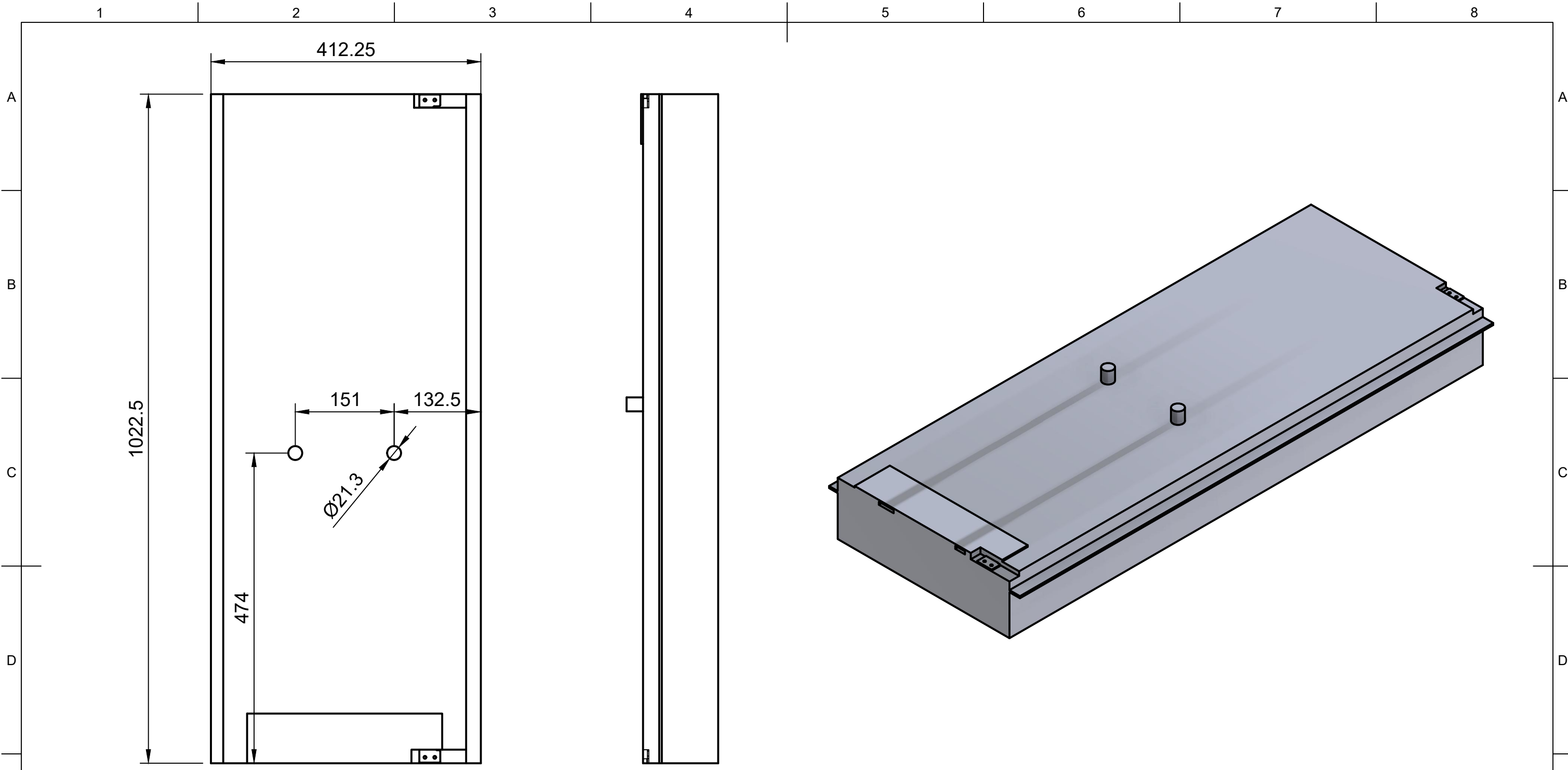


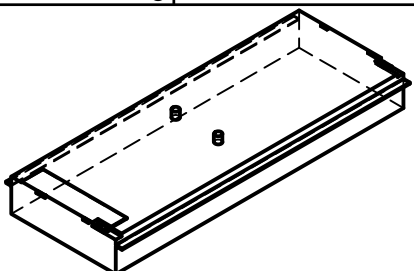
### Electrical Data

Rating (kWh) (100% DOD)		17,94kWh
Recommended DOD		80%
Nominal Capacity (Ah)		188Ah
Discharge Current (A)	Cont. @ 23°C @ 50% SoC	273
	Peak <15sec @ 23°C	400
	Peak < 5sec @ 23°C	700
Charge Current (A)	Cont. @ 23°C @ 50% SoC	273
	Peak <15sec @ 23°C	400
Minimum Voltage (V)		72,8
Nominal Voltage (V)		95,42
Maximum Voltage (V)		109,2

### General Data

Module manufacturer		CATL
Cell Chemistry		NMC811
Type of cell		Hard Case
Cell Configuration		26s2p
Estimated Cycle @ 70% DOD at 20°C 0.5C/0.5C		> 2800
Temperature (cell) for full power		-20 to +45°C
Storage Temperature		-40 to +60°C



Dept. Entwicklung	Technical reference	Created by Boostech	08.05.2023	Approved by
		Document type Skizze	Document status Done	
		Title High Capacity Battery Pack S26	DWG No. 1	
Rev. 1	Date of issue	Sheet 1/1		